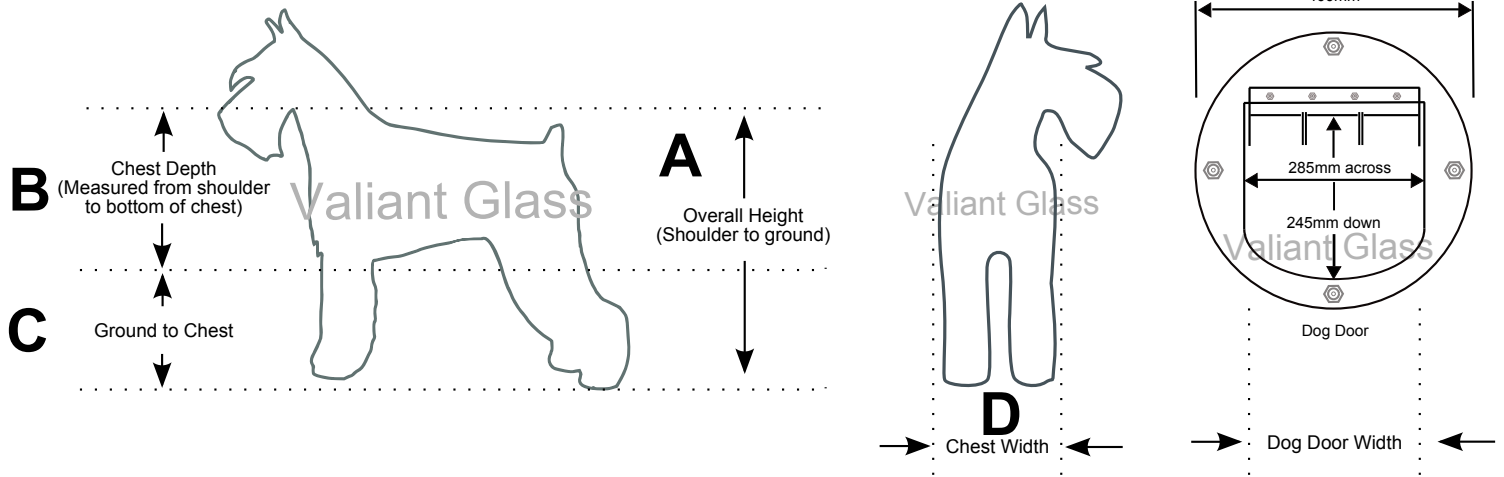


Step 1

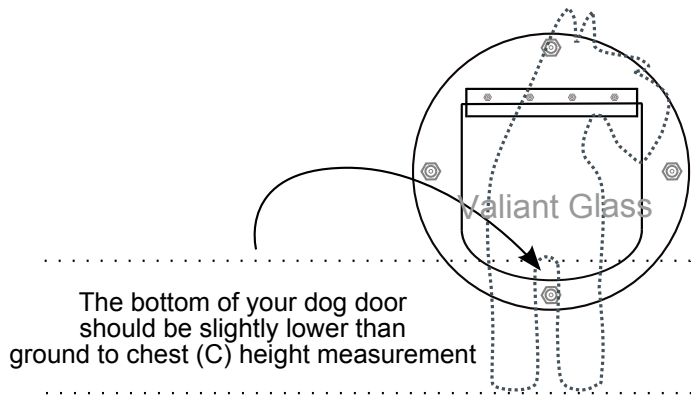
Will your dog fit our dog door?

1. The chest depth (B) of your dog needs to be 220mm or smaller
2. The chest width (D) of your dog needs to be 260mm or smaller
3. If so this will allow 25mm or 1" inch clearance and your dog will fit

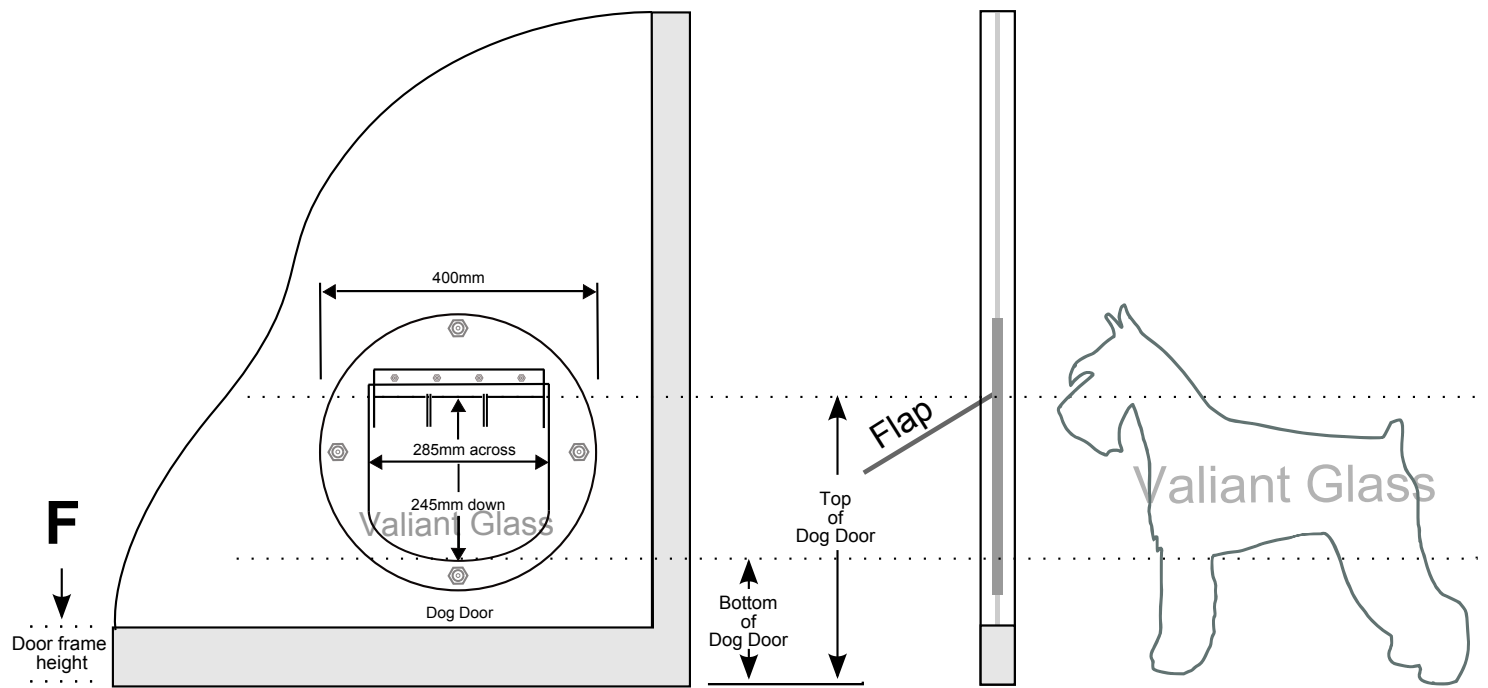
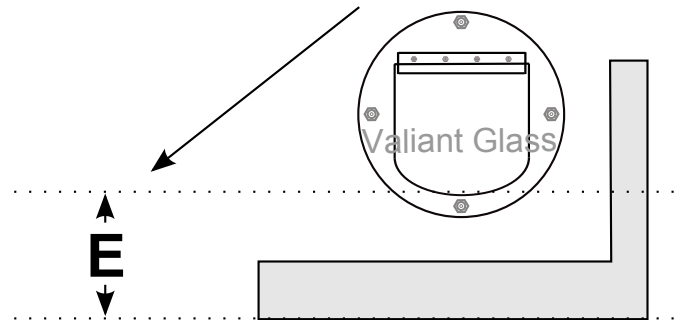


Step 2

Height of dog door



This is the most important measurement when installing a dog door.



Frame height (F) is deducted from dog door height (E) to determine the position in glass